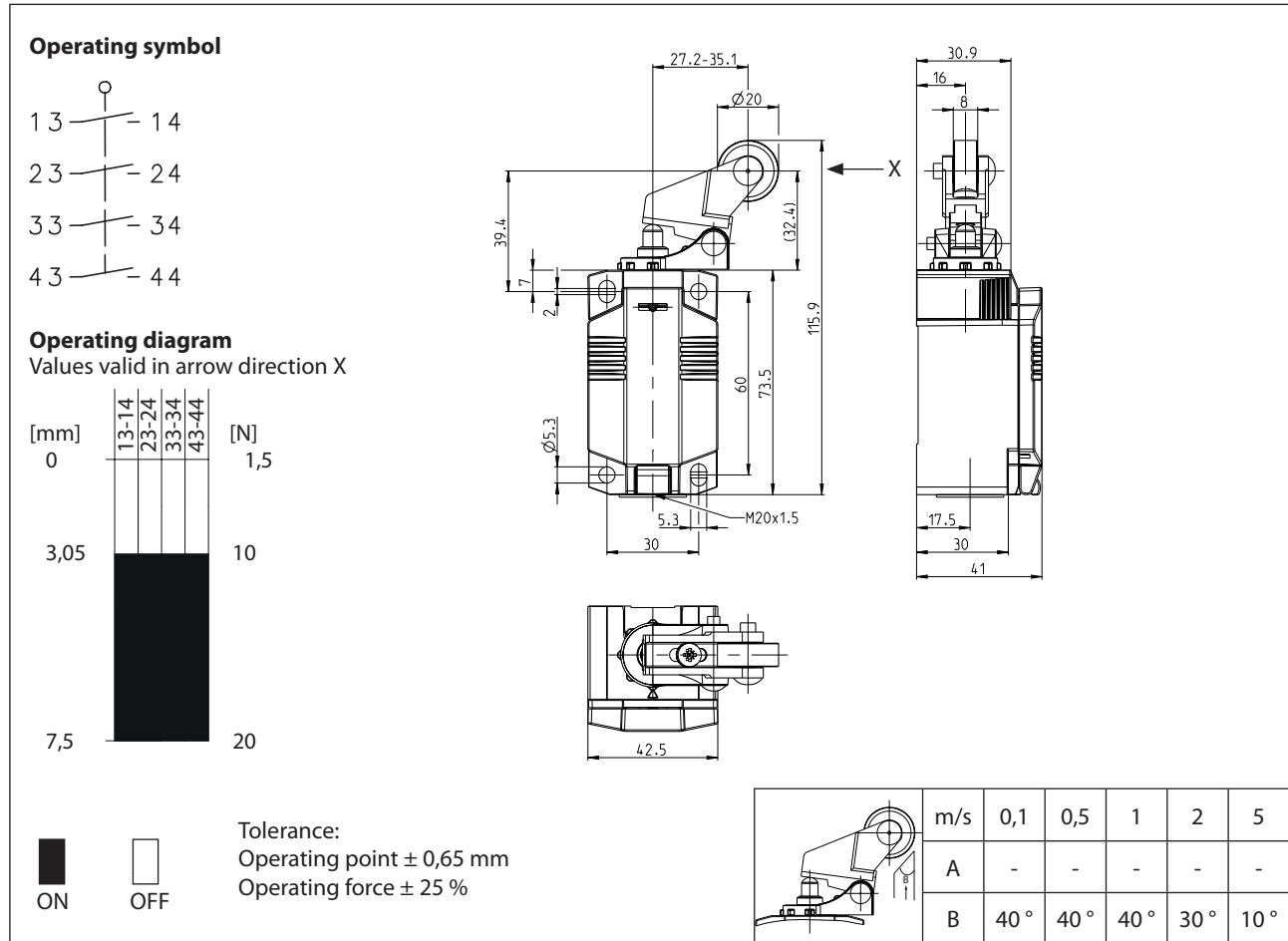


# Plastic bodied limit switch Series IN73

Description **IN73-04 DGKK**

Article number **608100058**



**Electrical Data**

Rated insulation voltage	$U_i$	250 V
Rated impulse withstand voltage	$U_{imp}$	2,5 kV
Rated operational voltage	$U_e$	240 V AC / 24 V DC
Rated supply frequency AC		50 / 60 Hz
Conv. thermal current	$I_{the}$	5 A
Minimum current		1 mA
Utilization category		AC 15, $U_e/I_e$ 240 V / 1,5 A; DC 13, $U_e/I_e$ 24 V / 1,5 A
Short-circuit protective device		Fuse 4 A gG
Rated conditional short-circuit current		400 A
Protection class		II, totally insulated

Mechanical data	
Enclosure	Thermoplastic, glass fibre reinforced (UL 94-V0)
Cover	Thermoplastic, glass fibre reinforced (UL 94-V0)
Actuator	Lever (Zn-die cast), roller (thermoplastic)
Operating temperature	-30 °C ... +75 °C
Storage temperature	-40 °C ... +80 °C
Protection type	IP66 / IP67 acc. EN 60529, Type 4X – Indoor Use only
Pollution degree (built-in switch)	3
Contact material	silver
Contact type	4 N.C.
Switching frequency	≤ 60 / min.
Mechanical life	10 x 10 <sup>6</sup> operating cycles
Mission time	≤20 years
Connection	8 screw connections (M3,5)
Conductor cross-sections	Solid or Litz wire with ferrules 0,34 mm <sup>2</sup> - 1,5 mm <sup>2</sup> ; AWG 22-16
Cable entrance	1 x M20 x1,5
Weight	≈ 0,19 kg
Installation position	operator definable

Actuation
<p>The actuating device is preferably started from 1 side.                      By lifting the clamp the actuation assembly can be rotated in 45° increments such that 8 actuation directions are possible.                      The actuation assembly is to be again fastened to the housing by lowering the clamp.</p>

Standards
DIN EN 60947-5-1
UL 508 / CSA C22.2 No.14

EU Conformity
acc. to directive 2014/35/EU (Low-Voltage-Directive)

Approvals
CCC
cUL <sub>US</sub>

Notes
The degree of protection (IP code) specified applies solely to a property closed cover and the use of an equivalent cable gland with adequate cable.